

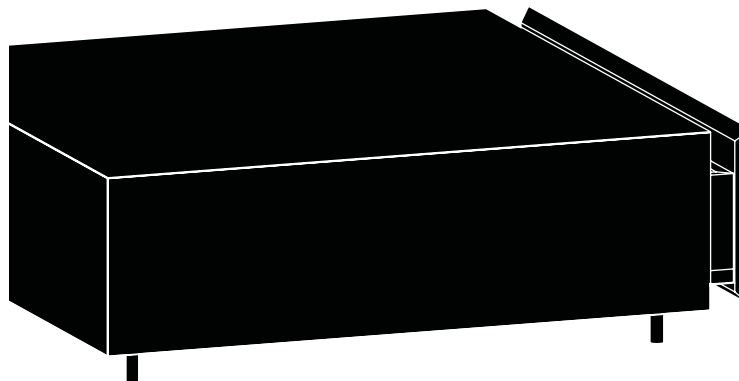
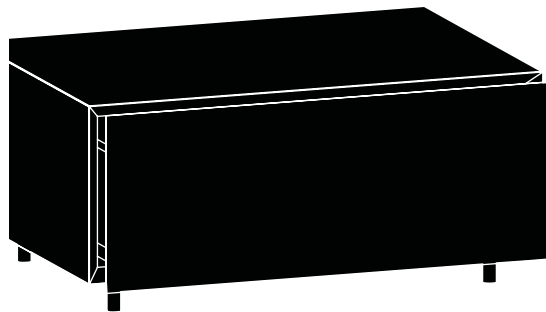
---

ESTABLISHED & SONS  
United Kingdom  
Phone +44 (0)20 7608 0990  
establishedandsons.com

ESTANDSONS LTD  
Estandsons Warehouse  
Intereuropa d.d.  
Mednarodni prehod 8,  
SI-5290 Šempeter pri Gorici,  
Slovenija

# BLOC

## Pauline Deltour



---

# BLOC

## Pauline Deltour

---

Treating colour as a material, Bloc side tables are based on the idea of recreating a hand-drawn cube, using different tones and shades to suggest an optical illusion.

Hidden in the plywood structure is a drawer with a soft-open mechanism, disguised by the block colours of the outer surfaces. Available in three sizes, the design is highly versatile and can add playfulness and a compact graphic character to a wide range of interior environments, from the home to the office.

The BLOC coffee tables are colourful plywood boxes in contrasting high-pressure laminate finishes. They come with black dowel feet as standard and can be paired with castor wheels (optional) and a storage soft-open drawer (optional).

### THE DESIGNER

French designer Pauline Deltour founded her eponymous studio in Paris in 2010. Working at a wide range of scales, from furniture to public spaces, her creations blur the boundaries between design and art. Deltour describes her aesthetic as both severe and delicate – a reflection of her own personality.



# General Information

IMPORTANT, RETAIN FOR FUTURE REFERENCE: READ CAREFULLY

DESIGN  
2020

**MATERIALS**  
Birch plywood, high-pressure laminate, soft-close drawer slides, black stained oak (legs), stainless steel ball bearing and nylon castors (option)

**DIMENSIONS**  
Small: L640mm × D450mm × H290mm  
Square: L850mm × D850mm × H290mm  
Long: L1200mm × D450mm × H290mm

**COLOURS**  
Bright red, burgundy, clay  
Bottle green, pine green, signal green  
Grey, burnt orange, pale grey  
Zinc yellow, signal yellow, pale grey

**DESCRIPTION**  
Table and Storage

**CLEANING GUIDELINES**  
Wipe with a damp cloth, use a mild detergent for tough stains. Do not use alcohol, polishes, abrasives or any solvents to clean the product, as they may damage the material. This product is for indoor use only.

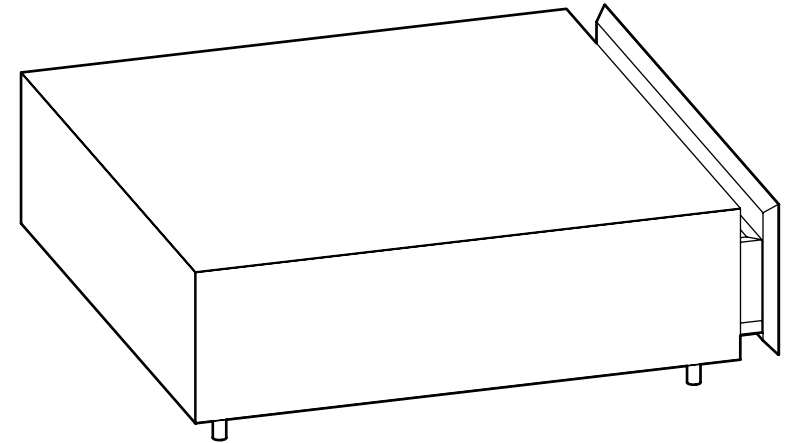
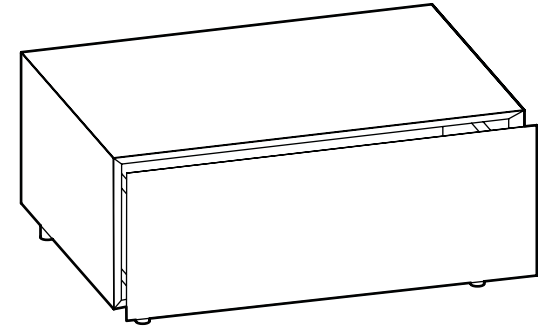
**USER INSTRUCTIONS**  
Do not place items that exceed 10KG in the drawer (Small) or 25KG (Square and Long).

## REQUIRED FOR INSTALLATION



4x Feet

# Installation / Feet

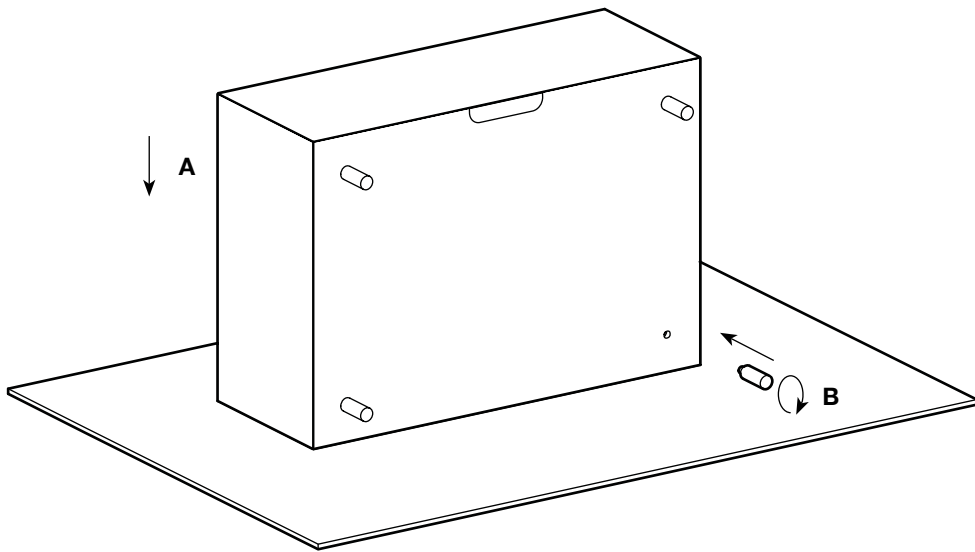


---

1. Place BLOC on the side, on a soft surface such as a carpet or cardboard (A).

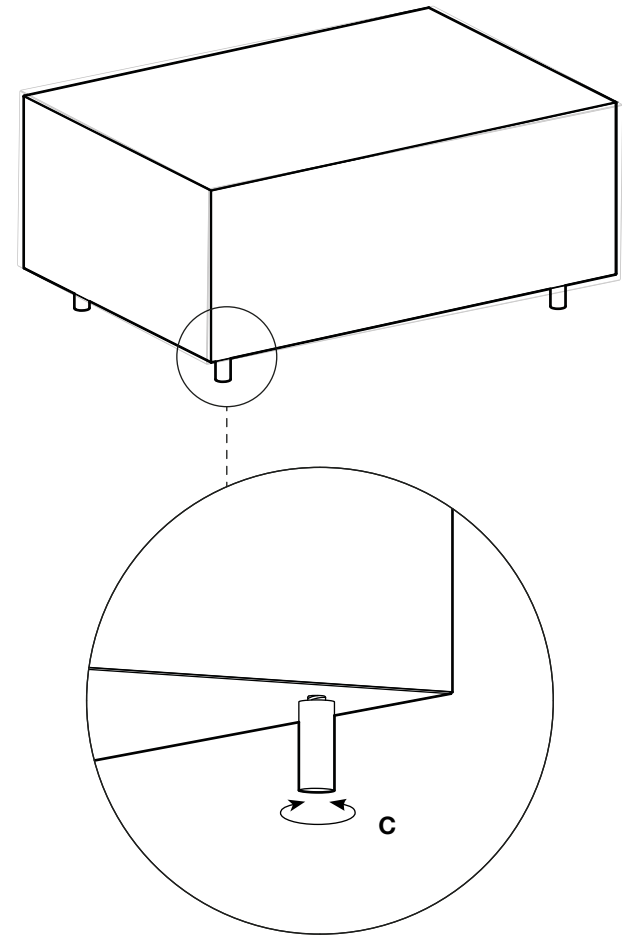
2. Screw all four feet (B).

---

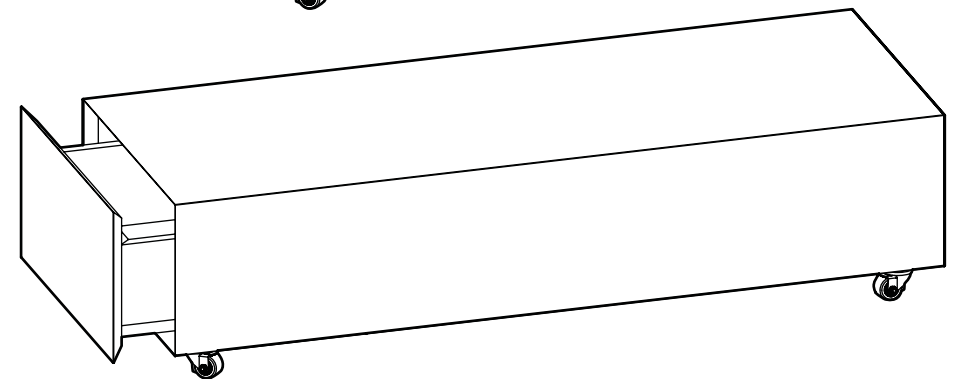
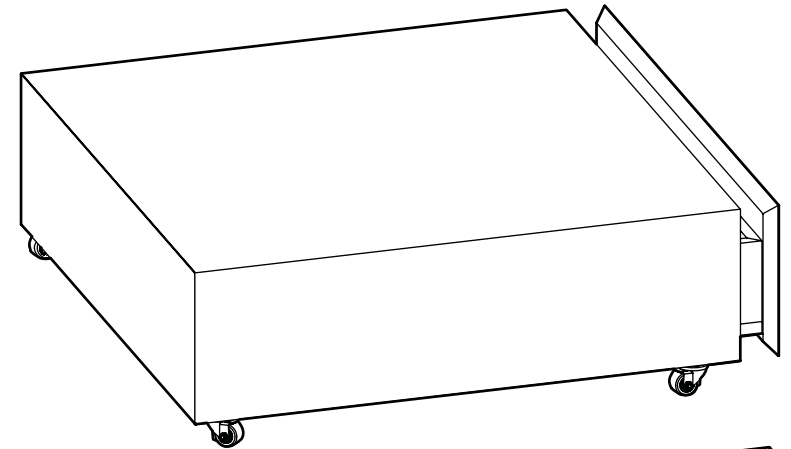
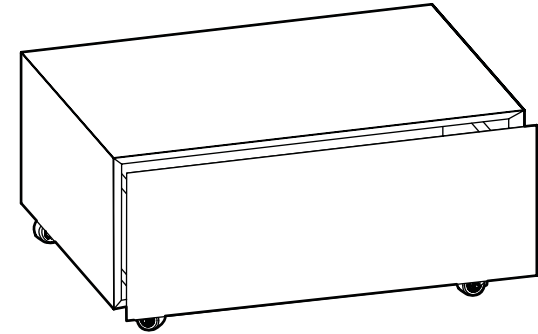


3. Review the stability of the table, and adjust the feet if necessary (C).

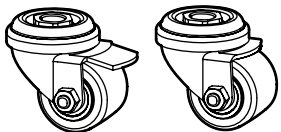
---



# Installation / Castors (optional)



## REQUIRED FOR INSTALLATION



Castors, set of 4x

M8 Socket Screws x4

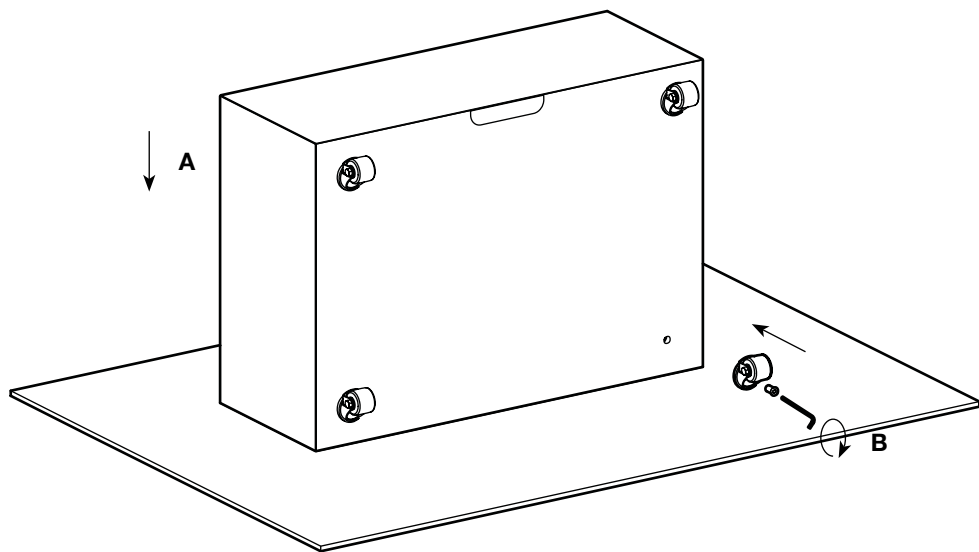
M8 Allen Key

---

1. Place BLOC on the side, on a soft surface such as a carpet or cardboard (A).

2. Fix all four castors by tightening the bolts with the allen key (B).

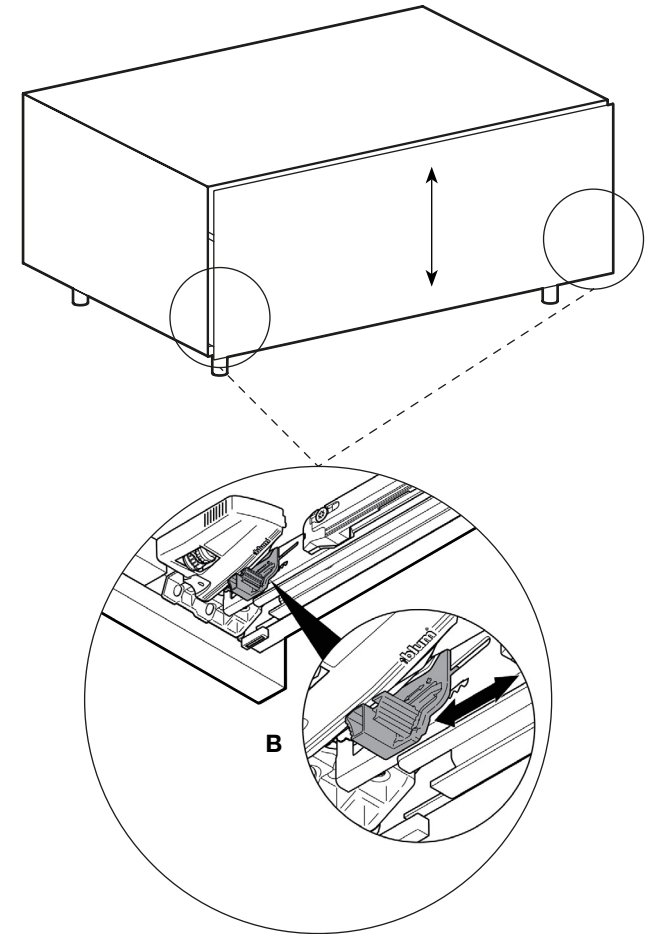
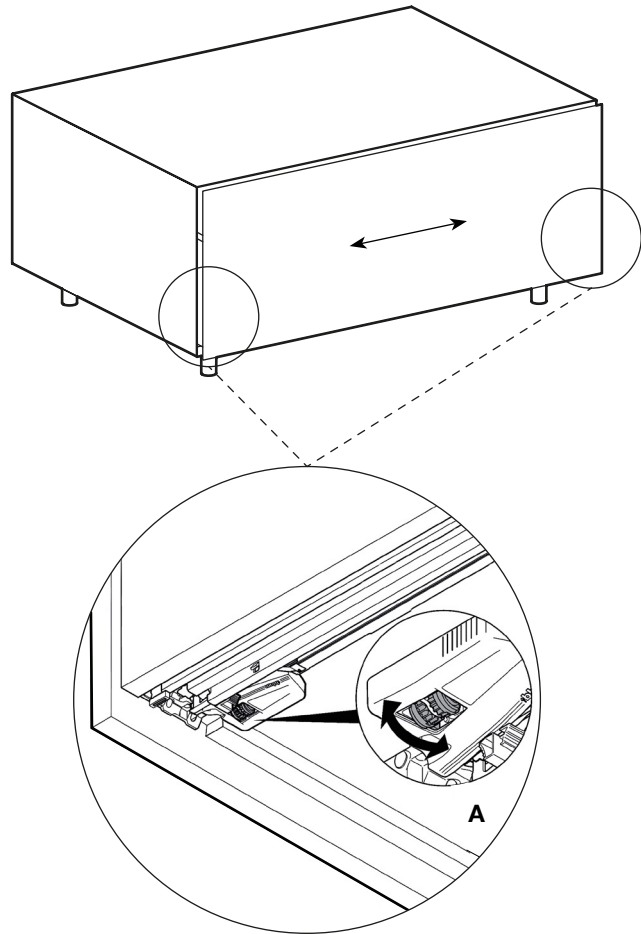
---



# Maintenance

1. To correct the drawer horizontally, adjust the clogs below the runners (A).

2. To correct the drawer vertically, adjust the highlighted part by runners (B).



---

# About Established & Sons

---

Established & Sons is a British brand representing all that is innovative in contemporary design. By supporting the best creators of our time, it has built a collection for people who are passionate about design, presenting imaginative products with style and personality.

Designers and artists are afforded the freedom to explore their own language, advancing pioneering ideas that deliver exceptional furniture and lighting collections. Combined with Established & Sons' commitment to skilled craftsmanship and cutting-edge manufacturing techniques, this produces intelligent designs that are at the same time diverse in the extreme and united in their quest for the extraordinary.

The Established & Sons collection includes some of the most important examples of 21st-century design. Many of the pieces have been acquired by international museums, galleries, institutions and private collections.

Follow us on Instagram

